



Bringing you tomorrow's technology today.

Success Story

It's called success for a reason.

COUNTRY: THAILAND | INDUSTRY : AUTOMOTIVE | CUSTOMER: SAMMITR MOTORS MANUFACTURING

About customer



SAMMITR

For over forty years SAMMITR have been a part of Thailand automotive and logistics industries.

SAMMITR produces car and truck body parts, moulds and fixtures for auto makers. SAMMITR emphasizes on the product quality in everyway. Their customers can fully have confidence in their product quality and use.

For more details visit: <http://www.sammitr.com/index.aspx>

Customer testimonial

"For us ANSYS solutions are practical to use. Simulation helps us save cost and time as well as helps in launching our product into the market earlier. This enables us to deliver our vision of providing high quality product and quickly respond to market change."

~ M.L. Samornmas Posirisuk, Vice President, Corporate System & ICT

"With CAD-IT support and ANSYS simulation tools, we can optimize our products and test the development processes more effectively. We can evaluate 'out of the box' ideas for our product which would not be possible without simulation."

~ Isara Pattanapitpaisan, Product Design Engineering Manager

Aim

Become global leader in Logistic Solutions and Renewable Energy by leveraging simulation technology to enhance the quality of products while reducing time to market.

ANSYS Solution

 ANSYS Structural Mechanics Solutions

Benefits:

Enhanced brand, improved quality, reduced cost and reduced time to market.

Branding advantage:

- Product R&D efficiency
- Enhanced brand loyalty in terms of quality and trustworthiness

Quality:

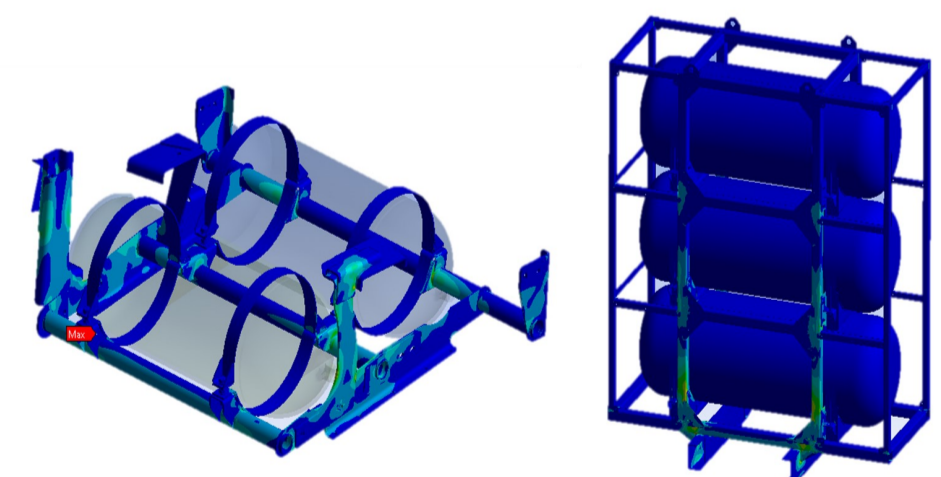
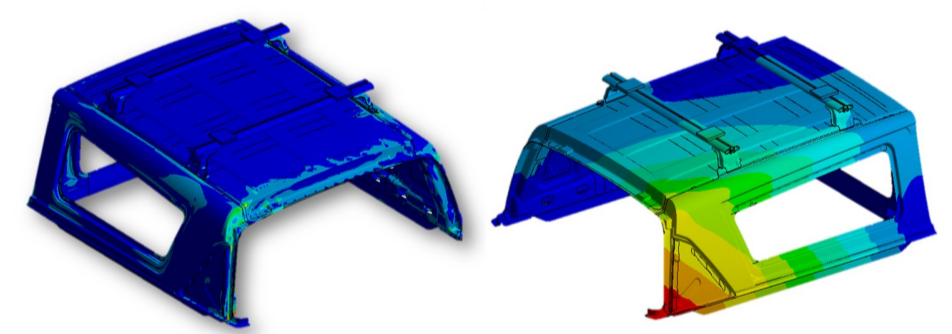
- 20% Life-time warranty improved
- Met target of < 1.5% warranty claim issue
- 15% reduction of Product weight/ Improve fuel consumption efficiency

Cost:

- Reduced prototyping cost by > 50%
- Reduced material cost by 15%
- Reduced production/ tooling Cost > 20%
- Reduced warranty cost
- Reduced testing cost

Time:

- Reduced prototype time
- Reduced testing time
- Reduced time-to-market in launching new/ revised products



Technology Training

System Integration

Software Development

Manufacturing R&D Center



Bringing you tomorrow's technology today.

SSCADIT00001/2016

Put our services to the test, contact us for a consultation today.
CAD-IT Consultants (Asia) Pte. Ltd. , Thailand Representative Office, 184

Ratchadaphisek Rd,

Unit 184/156, 25th Floor, Forum Tower,

HuayKwang, Bangkok 10310, Thailand

Tel:(662) 645 3127-9 | Fax:(662) 645 3968 | Email: thailand@cadit.com.sg

<http://www.cadit.com.sg/>

©2016 CAD-IT (Asia) Pte. Ltd. All Rights Reserved.