



Bringing you tomorrow's technology today.



Success Story

It's called success for a reason.

COUNTRY: MALAYSIA | INDUSTRY : OIL AND GAS | CUSTOMER: GENESIS OIL AND GAS CONSULTANTS LTD.

About customer



GENESIS

Genesis Oil and Gas Consultants Ltd is a market leading engineering company focused on providing engineering and technical services to the global upstream oil and gas industry.

The company's services are utilized by oil and gas companies during its planning and development phase of oil and gas projects and in the execution of subsea engineering projects. Its clientele includes super-majors and national oil companies, as well as small independents. A market-leading engineering company focused on providing engineering and technical services to our clients

- Genesis has more than 1,000 employees in 12 offices worldwide
- We strive to meet the demands of our clients across the globe

Customer testimonial

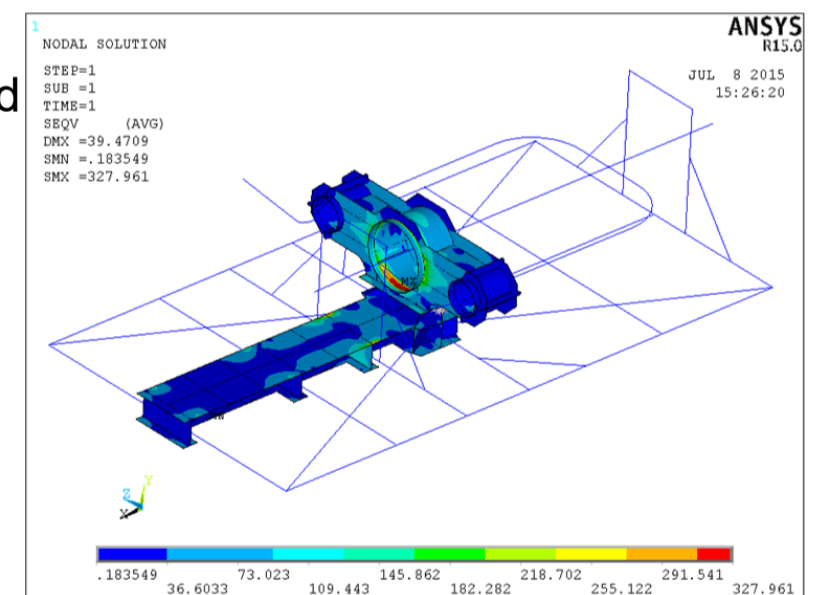
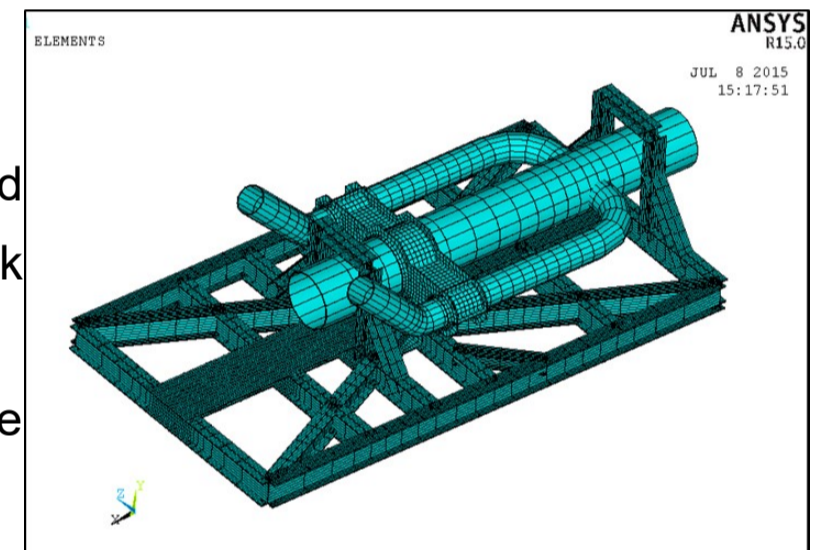
"ANSYS is a great help to us for year in subsea structural and pipeline design works. We have used ANSYS in many subsea structure design works - such as PLEM, manifolds, inline Tees, and jumpers – and in pipeline free span analysis for non-linear simulations. It helps us save cost and time in performing non-linear complex analysis. This enables us to deliver high quality work to our customers in time. "

~ Hari Babu - Skills Group Manager – Pipelines / Subsea, Genesis Oil and Gas Consultants Malaysia Sdn Bhd

Aim

GENESIS was approached by their client to design a replacement of an existing Pipeline End Manifold (PLEM) which was designed previously by hand calculation. The objective of the task is to perform the tasks shown below in:

- To ensure the integrity of the PLEM structure as well as the pipeline system under extreme load conditions.
- To manage interface/tie-in connection between the rigid pipeline and the subsea hose
- To simulate the contact between the upper structure and the supporting structure
- To apply all load conditions and determine the stress response relates to the most critical load case



ANSYS Solution

ANSYS Structures

Benefits

ANSYS enhances Genesis' strength and capability in subsea structural & pipeline design, including the following:

- Strength and fatigue analyses on subsea structures such as Jumper, ILT, PLET and Manifold etc.
- Free span analysis including static strength and VIV fatigue designs.

Technology Training

System Integration

Software Development

Manufacturing R&D Center



Bringing you tomorrow's technology today.

SSCADIT00005/2016

Put our services to the test, contact us for a consultation today.
CAD-IT Consultants (Asia) Pte. Ltd., Malaysia

No.3, Jalan SS 7/19, Kelana Jaya, Block A,

Unit 607, Kelana Centre Point,

47301 Petaling Jaya, Selangor, Malaysia.

Tel:(603) 7806 4758 | Fax:(603) 7806 4760 | Email: malaysia@cadit.co.sg

<http://www.cadit.com.sg/>

©2016 CAD-IT (Asia) Pte. Ltd. All Rights Reserved.